



## 850 nm Multi Mode VCSEL Plastic Package

### LG111 Series

#### Absolute Maximum Ratings

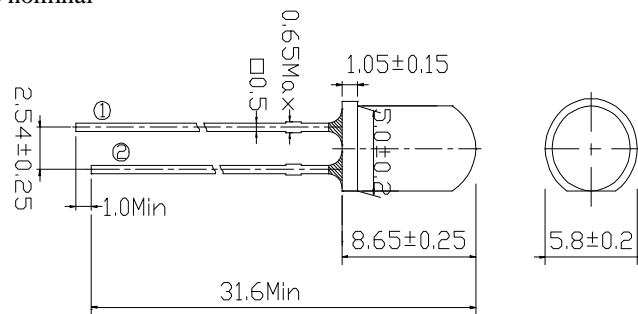
Parameter	Symbol	Unit	Min.	Max.	Note
Optical Power	P <sub>o</sub>	mW	1.5		CW
Storage Temperature		°C	-40	85	
Operating Temperature		°C	0	70	
Reverse Voltage	V <sub>r</sub>	V	5		

#### Electro-Optical Characteristics (T = 25°C, unless noted otherwise):

Parameter	Symbol	Unit	Min.	Typ	Max.	Note
Optical Output Power	P <sub>o</sub>	mW	1.5			I <sub>F</sub> =10mA
Forward Voltage	V <sub>f</sub>	V			3.0	I <sub>F</sub> =10mA
Threshold Current	I <sub>th</sub>	mA	2.0	4.0	7.0	
Operating Current	I <sub>op</sub>	mA	3.0		11	P <sub>o</sub> =0.5 mW
Operating Voltage	V <sub>op</sub>	V			2.5	P <sub>o</sub> =0.5 mW
Center Wavelength	λ <sub>c</sub>	nm	835	850	870	
Beam Divergence	θ <sub>1/e<sup>2</sup></sub>	deg	2.0	4.0	6	I <sub>F</sub> =10mA
Slope Efficiency	η	mW/mA	0.1	0.3	0.5	0.4~0.6mW
Series Resistance	R <sub>s</sub>	Ω		50	150	I <sub>F</sub> =10mA

#### Dimensions: (mm)

All dimensions are nominal



#### PINOUT

LG111	
Number	Function
1	VCSEL Anode
2	VCSEL Cathode

**Opto Focus Co., Ltd.**  
10F-1, No.910, Chung Cheng Rd.,  
Chung Ho City, Taipei County, Taiwan

**宏光光電股份有限公司**  
TEL: +886-2-2228-8558  
FAX: +886-2-2228-8635  
REV.B 2006/7/14